

LED Strip Datasheet



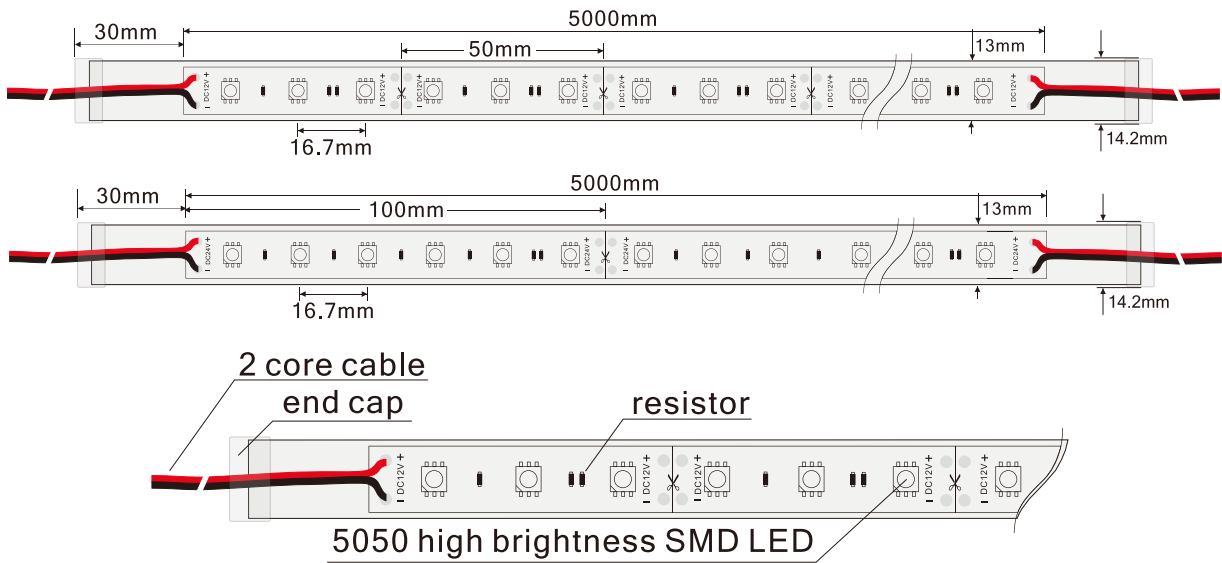
RGB Colour Led Tape

14.4W per/m
 19.2W per/m
 24W per/m
 DC Output:24VDC/12VDC
 Diodes:SMD3527/5050
 Life Span:50000 Hours



Product Code	Power [W/M]	Diodes Type	IP Rating	CCT-[Lumen/Meter]				RGB			Led Qty [LED/M]	PCB SIZE		
				WW	WW	NW	CW	Red	Green	Blue		Cutting points(mm)	Width (mm)	Height (mm)
				2400K	2700K	4000K	6000K							
ALSTPRGBW3527-19.2W120sP20	19.2	3527	IP20	310	320	360	380	130	330	70	120	100	10	2.1
ALSTPRGBW5050-19.2W60sP20	19.2	5050	IP20	300	310	340	360	120	330	60	60	100	12	2.1
ALSTPRGBW3527-19.2W120sP62	19.2	3527	IP62	260	270	300	320	110	260	60	120	100	10	3.2
ALSTPRGBW5050-19.2W60sP62	19.2	5050	IP62	250	260	280	300	100	250	50	60	100	12	3.2
ALSTPRGBW3527-19.2W120sP68	19.2	3527	IP68	260	270	300	320	110	260	60	120	100	12.5	5.3
ALSTPRGBW5050-19.2W60sP68	19.2	5050	IP68	250	260	280	300	100	250	50	60	100	14.5	5.3
ALSTPRGBW5050-14.4W60sP20	14.4	5050	IP20	540	620	650	660	70	160	40	60	100	12	2.1
ALSTPRGBW5050-14.4W60sP62	14.4	5050	IP62	450	510	540	550	50	120	30	60	100	12	3.2
ALSTPRGBW5050-14.4W60sP68	14.4	5050	IP68	450	510	540	550	50	120	30	60	100	14.5	5.3
ALSTPRGBW5050-14.4W96sP20	14.4	5050	IP20	-	360	371	380	-	-	-	96	62.5	12	2.1
ALSTPRGBW5050-24W60sP20	24	5050	IP20	-	-	-	60	120	330	60	60	100	12	2.1
ALSTPRGBW5050-24W60sP62	24	5050	IP62	-	280	-	350	100	250	50	60	100	12	3.2
ALSTPRGBW5050-24W60sP68	24	5050	IP68	280	-	-	300	100	250	50	60	100	14.5	5.3

Front:



Lateral:



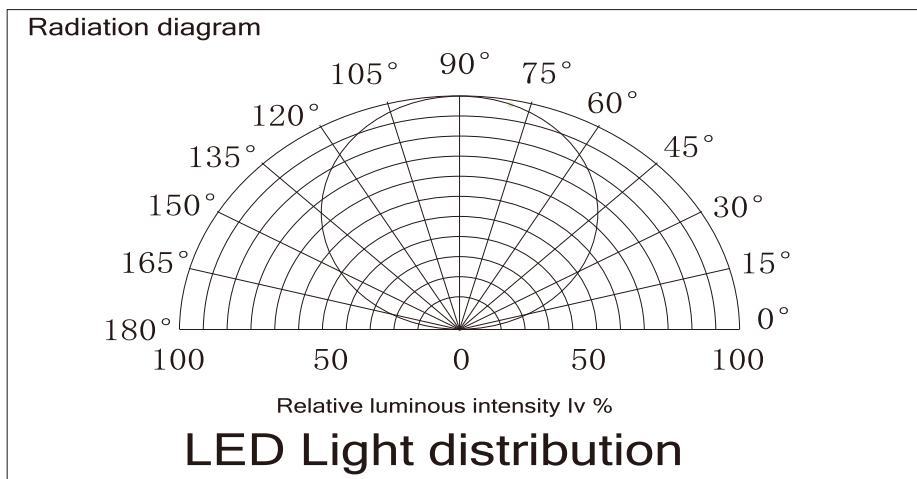
Operation temperature: -20-50°C

Life time: 50,000hours

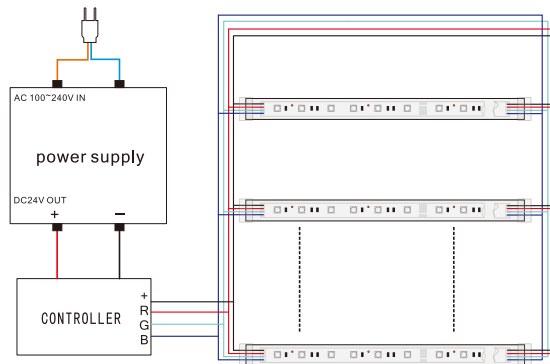
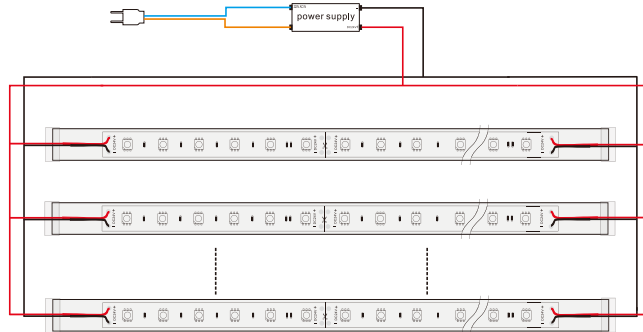
Dimmable by using dimmer controller

Water-proof rating: IP68

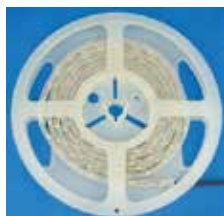
light Distribution Curve



connection Instruction



Package Details



5meter/roll



1roll/bag



carton360X240X240mm

15bags/carton

Operation temperature: -20~50°C

Storage temperature: -30~80°C

Packing: 5meters led strip as one roll, one roll put into one bag, 15bags packed into one carton
 The maximum capacity is 10 meters. LED strips can be packed in a roll and a bag